

ADVANCED REFRACTION TABLE
HRT-7000



ADVANCED REFRACTION TABLE

HRT-7000



Power Arm

40 degree soft movement and up & down multi sequence adjustment will enable to accommodate any patient comfortably.



Up & Down Function

Up & Down feature is added in order to provide convenience for measuring position of patient's eyes.



Keypad

Visible location of keypads enables you to control the power arm and chair precisely with ease.

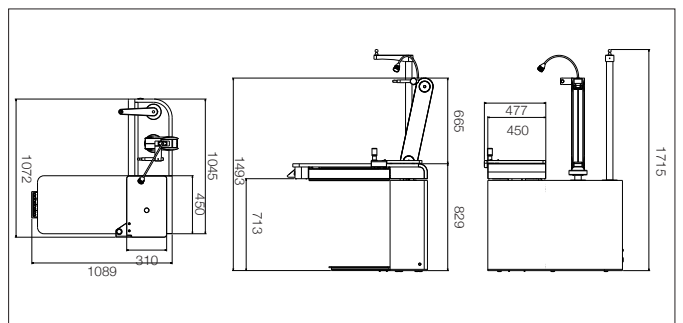


Refraction Chair

Ergonomic design guarantees the best comfort of examinees with embedded sensor to avoid the contact between examinee and table during height adjustment. (Chair is included as standard)

Specification

Head Stroke	400mm(R-L)
Power Arm Up-Down Range	200mm
Chair Up-Down Range	150mm
Lamp	LED Lamp 3W
Power Supply	AC 100~120/200~240V, 50/60 HZ
Power Consumption	7A/4.5A
Dimensions	1089(W) X 1072(D) X 1493(H)mm
Table Size	1089(W)X 450(D) X 25(T) mm
Table Rotating Angle	90°



Designs and details can be changed without prior notice for the purposes of improvement.